

Axiohm A794 Next Generation Single Station Thermal Receipt Printer



Introducing the smaller, smarter, faster A794 from Axiohm. The ideal single station thermal receipt printer for retail, kitchen environments and hospitality applications.

The A794 offers the same ultra-reliable quality you have come to expect from Axiohm, plus many new features.

AxiohmTM
*Making Global Impressions*SM

Revolutionary

In 1993, we revolutionized the industry with our A793 printer with our Clamshell™ drop-in paper loading system. Now, we're back with the next generation.

Smaller, Smarter, Faster

The A794 offers the same ultra-reliable quality of the A793, plus many new features.

Smaller Footprint, Larger Paper Roll

At 6" x 7" x 5", it's smaller and more compact than any comparable printer on the market. At the same time it also features a large 90 mm (outside diameter) paper roll capacity.

One Button Programming

With the push of a single button, you can program the baud rate, interface and energy consumption mode.

More Printing Speed

The A794 prints 40 lines per second, making it the fastest printer in its class. This dramatically reduces the waiting time at the POS.

Axiohm A794 Technical Specifications

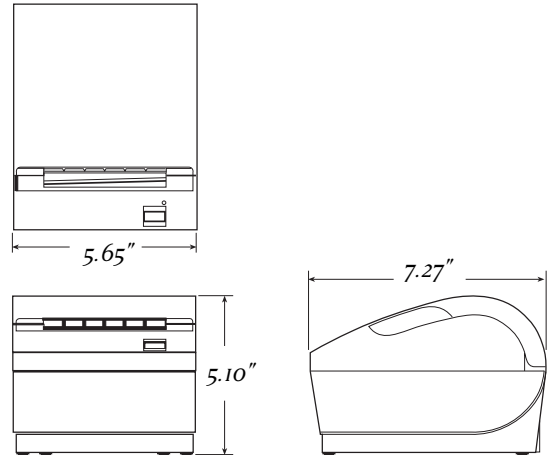
| | |
|----------------------------|--|
| Print Method | Direct Thermal, 203 DPI |
| Character Cell Size | 13 x 24, 10 x 24 |
| CPI | 15.6, 20.3 |
| Print Columns | 44 & 56 Columns |
| Character Set(s) | Code Page 437, 850, 852, 858, 860, 863, 865, 866 and several expanded sets |
| Bar Codes | UPC-A, UPC-E, Code 39, Code128, EAN128, JAN8 and JAN13 (EAN), Interleaved 2 of 5, Codabar, PDF417 |
| Printing Speed | 40 LPS (130 mm/s) |
| Auto Cutter | Full and Partial Cut Selectable |
| Data Buffer | 4K |
| User Memory | 256K up to 1792K Flash Shared (graphics, logos, user defined characters) |
| Communication Interface(s) | Mother/Daughter Board Architecture Supports: RS-232, IEEE 1284 Bi-directional Parallel |
| Cash Drawer Control | 1-2 Drawers |
| Paper Type | Direct Thermal, POS Grade(s) |
| Paper Roll (W x D) | 3.15" x 3.55" Dia. (80 mm x 90 mm Dia.) |
| Power | 24 VDC +/- 5% |
| Certifications | EMI: FCC, ICES-003: Class A; CE, Austel, VCCI: Class B Safety: UL 1950, CSA 22.2 No. 950, CE (EN60950), MITI (power supply) |
| Reliability | 150 km Paper (45 Million Lines) 1.5 Million Autocuts |
| Dimensions (W x D x H) | 5.65" x 7.27" x 5.10" (144 mm x 185 mm x 130 mm) |
| Weight | 1.35 kg (3.0 lbs.) |
| Control Language | ECS/POS Compatible |
| Printer Drivers | OLE POS for Windows Compatible and Windows/Windows NT |

Windows® and Windows NT® are trademarks of Microsoft Corporation.
*Per Axiohm standard test conditions

A794 Detailed Features

Various hardware options can customize the A794 printer to your application:

- Available in 2 colors: light grey or charcoal.
- Printer wall mounting kit as an option for use in the kitchen for space saving purposes.



Other Axiohm Products

Axiohm supplies a large family of OEM mechanisms and accessories which offers customers a wider choice for applications and maximum flexibility in design. Furthermore, an extensive range of finished printer products is also available for ticket and label printing.

For Additional Information About Axiohm Products Contact the Addresses Below:

Xerxes Computer Corporation
5735 West Old Shakopee Road
Bloomington, Minnesota 55437
Toll Free: (800) 328-3884
Fax: (952) 936-9701
Web: www.xcc.com

AxiohmTM
Making Global ImpressionsSM