

# Axiohm XQ validation/Slip/Receipt Printer with integrated MICR



XQ with Journal Rewind



*As a leading pioneer of the printing industry, Axiohm has had many firsts. We were the first to feature the Clamshell™ and No-Thread™ paper-loading systems, and we were the first to introduce a slip/validation printer with an integrated MICR reader. The newly designed MICR Reader in the XQ Printer is unmatched in the industry and eliminates the need for a stand-alone MICR Reader.*

**Axiohm**™  
*Innovative Transaction Solutions*

## MICR For The Masses

The XQ printer has been designed for maximum flexibility and performance at the lowest possible cost. It's opening up a world of possibilities to a market that previously could not afford the stand-alone MICR reader option. It offers receipt and slip/validation functions; a cash drawer driver port (for 1 or 2 drawers); a paper low sensor and indicator; a positive slip position sensor and indicator; and multiple resident emulations. It's available with or without journal rewind. With its "Best of Class" MICR reader, the XQ sets a whole new standard for 1.5 station printers.

## Premier Technology

The 1.5 station XQ also has Axiohm's trademark Clamshell™ design for drop-in paper loading and a No-Thread™ journal. Indicator lights advise operators of form and slip insertion as well as when paper is low. The ribbon cassette has been designed for a snap-off/snap-on, "clean fingers" installation and can be used with any new or recycled bond paper. And the XQ's ability to read MICR and print the check and journal in one small footprint make this printer truly unique.

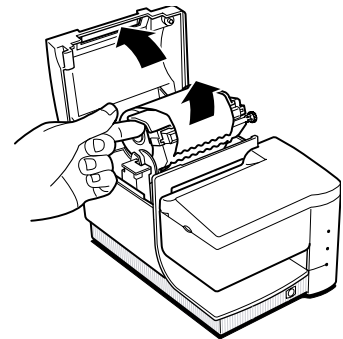
## Simply Reliable

No preventative maintenance is required for the XQ during regular work cycles. It's simple design minimizes moving parts, providing unmatched reliability and reduced service costs. The Clamshell™ design eliminates problems resulting from operational error during paper loading. And the XQ's innovative design is backed by a 15-month warranty.

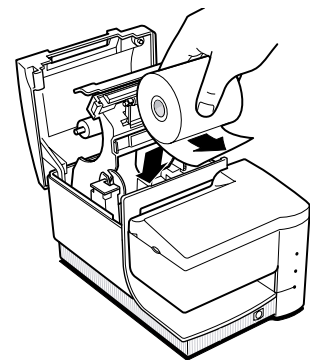
# Axiohm XQ Product Specifications

<b>Interfaces</b>	RS-232C	With 9 Pin D-Shell Connector
	Buffer	4K
<b>Emulations Available</b>	Epson ESC/POS, Axiohm/NCR 5021, IPI, and DH	
<b>Power Supply</b>	Remote, Auto Ranging, 24 Vdc, 55 Watt Output	
<b>Dimensions</b>	Width	165 mm (6.5 in.)
	Depth	254 mm (10.0 in.)
	Height	147 mm (5.8 in.) Receipt Only 165 mm (6.5 in.) With Journal
	Weight	3.7 kgs. (7.5 lbs.)
<b>Media Loading</b>	Receipt	Drop In Clamshell™
	Journal Option	No-Thread™ Journal (No Spindle Required)
	Ribbon	Snap-In
<b>Print Mechanism</b>	Print Technology	Bi-directional, Logic Seeking, 9-Pin Impact
	Print Speed	288 Lines Per Minute (4.8 LPS) at 40 Columns
	Font Size	7 x 7, 12 x 7, 5 x 9 Dot Matrix
	Characters Per Inch	From 11.6 CPI to 16.8 CPI
	Columns	From 33 to 51 (42 Columns Standard)
<b>Character Sets Resident</b>	CP437 English, CP850 Multilingual (Latin), CP852 Slavic (Latin), CP865 Nordic	
<b>Bar Codes Supported</b>	UPC-A, UPC-E, Code 39, Code 128, EANJAN 8 and EANJAN 13, Interleaved 2 of 5, Codabar	
<b>Paper Requirement</b>	Paper Type	Bond - New and Recycled
	Paper Roll Size	82.55 mm (3.25 in.) W x 88.89 mm (3.5 in.) D Receipt Only
		82.55 mm (3.25 in.) W x 63.5 mm (2.5 in.) D Journal Only
		82.55 mm (3.25 in.) W x 79.37 mm (3.125 in.) D Two Ply
Paper Thickness	0.076 - 0.086 mm (0.003 - 0.0034 in.)	
Number of Plies	Up to Two Plies	
<b>Forms</b>	Slip Print Zone	76.8096 mm (3.024 in.) Maximum
	Min. Form Size	69.85 mm (2.75 in.) W x 127 mm (5.0 in.) H 127 mm (5.0 in.) W x 69.85 mm (2.75 in.) H
		279.4 mm (11.0 in.)
	Max. Form Length	279.4 mm (11.0 in.)
Number of Plies	Up to Five Plies 0.3556 mm (0.014 in.) Maximum	
<b>Certifications</b>	UL 1950, UL 1238, UL Canada (CSA 22.2 No. 950), CE (EN 60 950), CE Class B, FCC Class A	
<b>Options</b>	E13-B, CMC7 Co-Resident MICR Reader, Journal/Rewind, Journal Lock, Cover Open Switch, Communications Cables Windows® / Windows NT® Compatible Print Drivers Available	

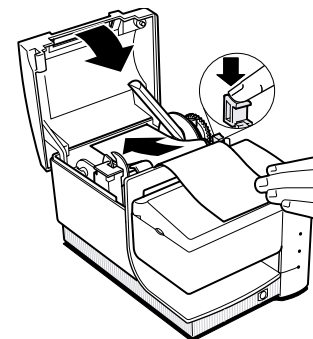
## Paper loading — As easy as 1-2-3



1> Open the cover and Clamshell™.



2> Place the paper.



3> Close the Clamshell™ and the cover.

**Axiohm**™  
Innovative Transaction Solutions

For Additional Information About Axiohm Products Contact the Addresses:

Xerxes Computer Corporation  
5735 West Old Shakopee Road  
Bloomington, Minnesota 55437  
Toll Free: 888.777.0531  
Local: 952.936.9280  
Fax: 952.936.9701